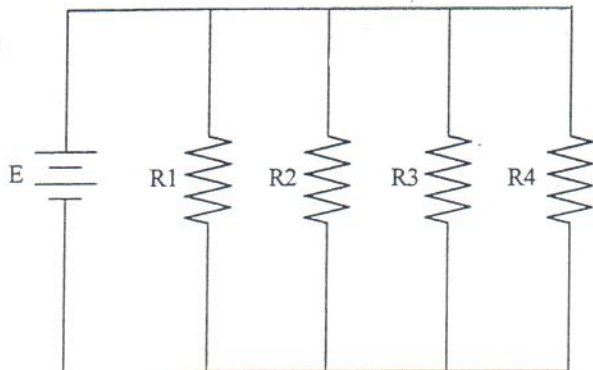


## Parallel Circuit Worksheet #2

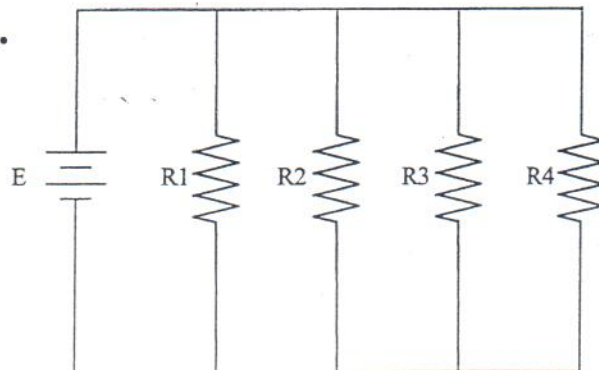
Meets NATEF Task: (A6-A-4) Diagnose Electrical/Electronic Integrity for Series, Parallel, and Series-Parallel Circuits Using Principles of Electricity (Ohm's Law).

1.



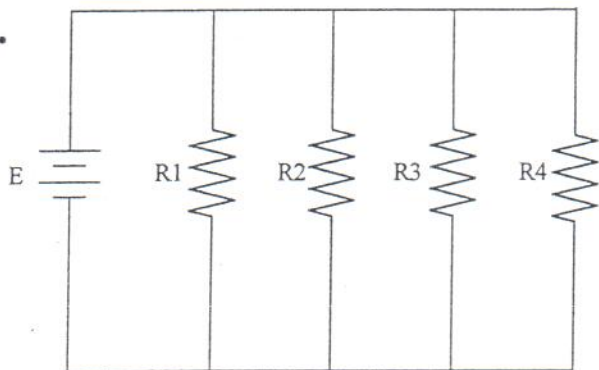
$E = 12 \text{ volts}$        $R1 = 4 \text{ ohms}$   
 $I_T = \underline{\hspace{2cm}}$        $R2 = 12 \text{ ohms}$   
 $R1 = 4 \text{ ohms}$        $R4 = 12 \text{ ohms}$

2.



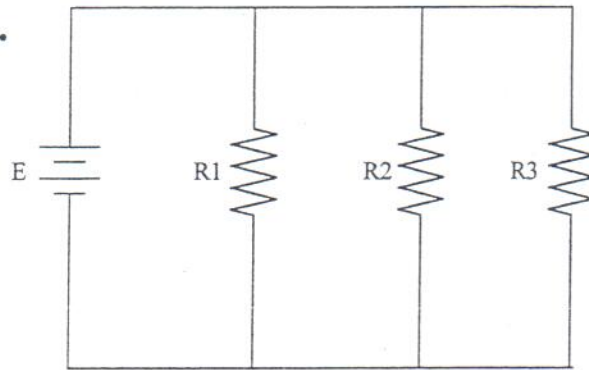
$E = \underline{\hspace{2cm}}$        $R1 = 12 \text{ ohms}$   
 $I_T = 4 \text{ amperes}$        $R2 = 12 \text{ ohms}$   
 $R1 = 12 \text{ ohms}$        $R3 = 12 \text{ ohms}$

3.



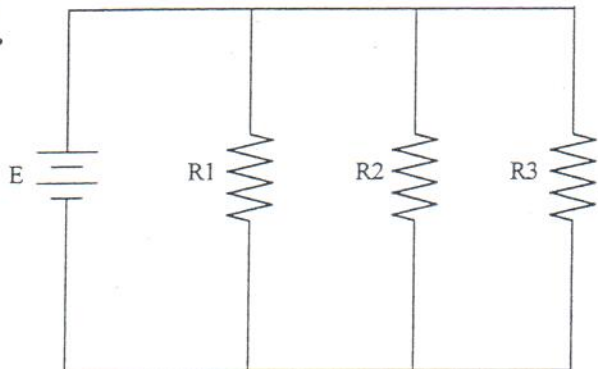
$E = \underline{\hspace{2cm}}$        $R2 = 4 \text{ ohms}$   
 $I_T = 1 \text{ ampere}$        $R3 = 6 \text{ ohms}$   
 $R1 = 2 \text{ ohms}$        $R4 = 12 \text{ ohms}$

4.



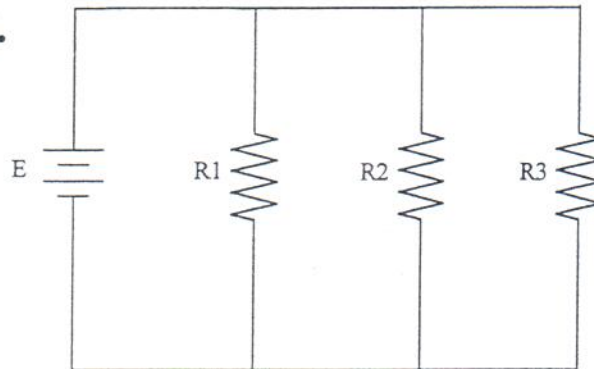
$E = 12 \text{ volts}$        $R2 = 8 \text{ ohms}$   
 $I_T = \underline{\hspace{2cm}}$        $R3 = 4 \text{ ohms}$   
 $R1 = 8 \text{ ohms}$

5.



$E = 12 \text{ volts}$        $R2 = 12 \text{ ohms}$   
 $I_T = 4 \text{ amperes}$        $R3 = \underline{\hspace{2cm}}$   
 $R1 = 12 \text{ ohms}$

6.



$E = \underline{\hspace{2cm}}$        $R2 = 24 \text{ ohms}$   
 $I_T = 2 \text{ amperes}$        $R3 = 12 \text{ ohms}$   
 $R1 = 24 \text{ ohms}$