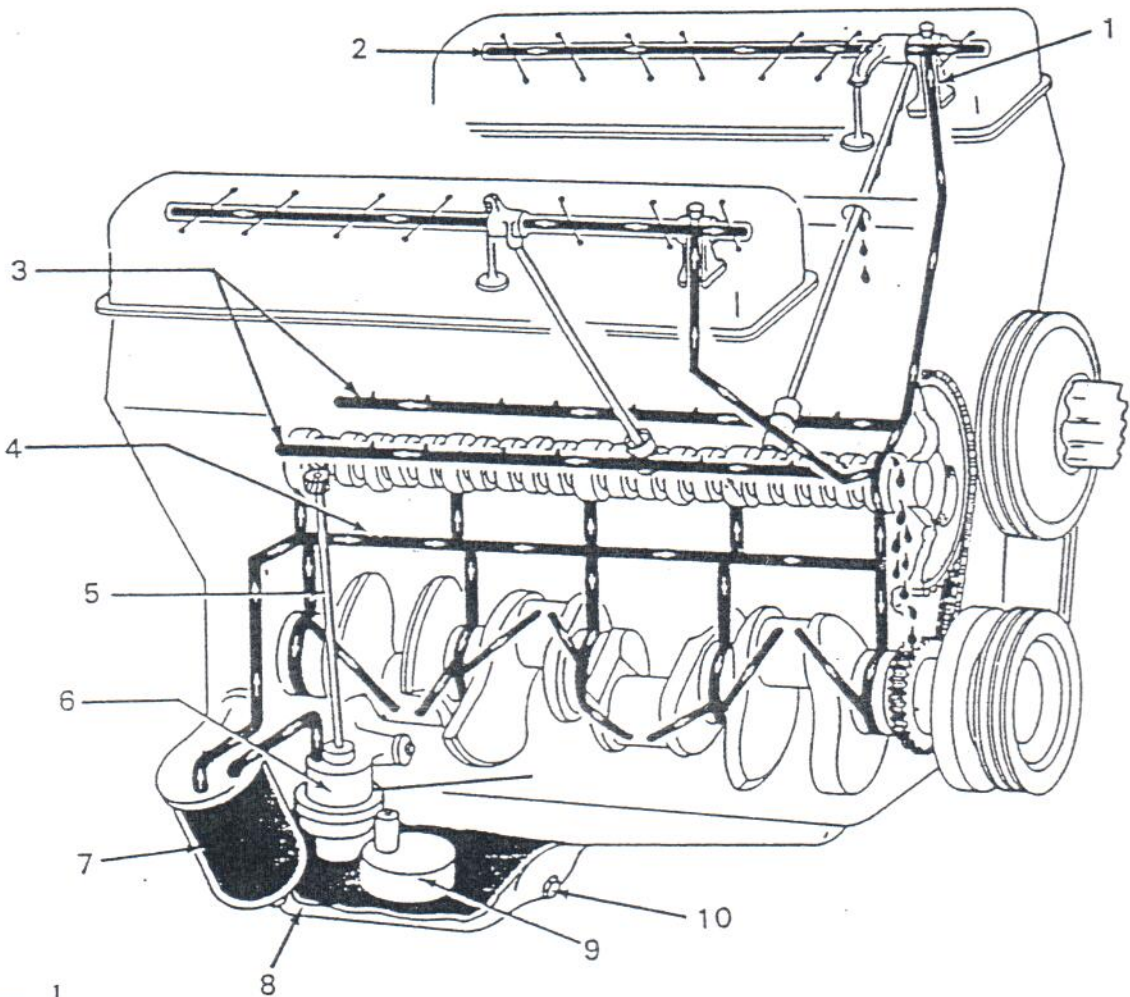


5 - LUBRICATION SYSTEMS

Quiz 2

Identify the following lubrication system parts. Select your answers from the list. Carefully print the correct letter in each illustration blank.



- _____ 1.
- _____ 2.
- _____ 3.
- _____ 4.
- _____ 5.
- _____ 6.
- _____ 7.
- _____ 8.
- _____ 9.
- _____ 10.

- | | |
|-------------------------------|---------------------------|
| A. Oil drain plug | G. Oversized bolt hole |
| B. Main oil gallery | H. Oil pump pickup screen |
| C. Oil dipstick | I. Oil pan |
| D. Valve lifter oil galleries | J. Oil filter |
| E. Oil pump | K. Hollow push rod |
| F. Oil pump drive | L. Hollow rocker shaft |