

Name _____

MULTIPLE CHOICE. Choose the one alternative that best completes the statement or answers the question.

- 1) The strength or classification of a bolt is known as _____.
A) Grade B) Gauge C) Pitch D) None of these 1) _____
- 2) The number of threads per inch is referred to as _____.
A) Grade B) Pitch C) Gauge D) None of these 2) _____

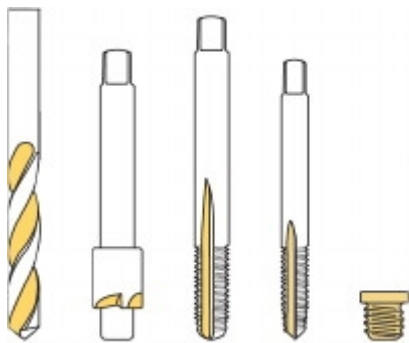
TRUE/FALSE. Write 'T' if the statement is true and 'F' if the statement is false.

- 3) Hardware store nongraded bolts are suitable for use on suspension components. 3) _____

MULTIPLE CHOICE. Choose the one alternative that best completes the statement or answers the question.

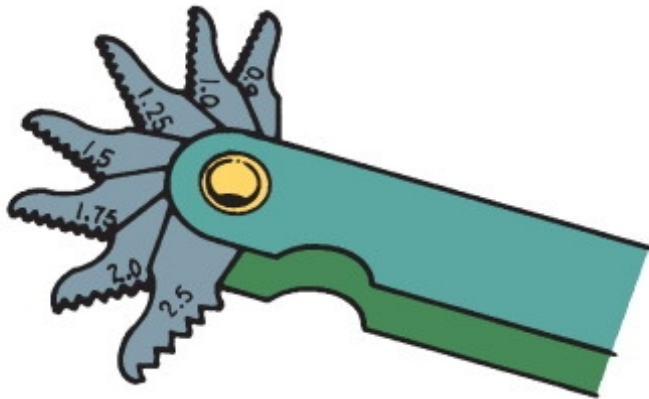
- 4) Sheet metal screws are also known as _____.
A) Self tapping screws B) Hardened screws
C) Machine screws D) None of these 4) _____

- 5) Identify this tool kit. 5) _____



- A) Key lock insert kit B) Tap and die kit
C) Timesert® kit D) Helicoil® kit
- 6) The most commonly used tap is a _____.
A) Bottoming tap B) Tapered tap C) Both A and B D) Neither A nor B 6) _____
- 7) Which of the following is a metric bolt?
A) 8 mm B) 1/2-20 C) M12 x 1.5 D) 5/16-18 7) _____
- 8) Which type nut is used on top of a regular nut to prevent loosening of the fastener?
A) Bead nut B) Castle nut C) King nut D) Jam nut 8) _____
- 9) Which type nut is used with a cotter pin?
A) Bead nut B) Castle nut C) Nylon ring nut D) King nut 9) _____

- 10) What type of fastener is commonly used to retain interior door panels? 10) _____
 A) External clips B) Christmas tree clips
 C) E clips D) Internal clips
- 11) Technician A says that for best results, loosen the fastener immediately after spraying it with penetrating oil. Technician B says that rusted fasteners may be loosened by tapping with a hammer. Which technician is correct? 11) _____
 A) Technician A only B) Technician B only
 C) Both technicians A and B D) Neither technician A nor B
- 12) Technician A says that the diameter of a bolt is the same as the wrench size used to remove or install the fastener. Technician B says that the length is measured from the top of the head of the bolt to the end of the bolt. Which technician is correct? 12) _____
 A) Technician A only B) Technician B only
 C) Both technicians A and B D) Neither technician A nor B
- 13) A bolt that requires a 1/2 inch wrench to rotate is usually what size when measured across the threads? 13) _____
 A) 1/2 inch B) 5/16 inch C) 7/16 inch D) 3/8 inch
- 14) All of these are types of snap rings EXCEPT _____. 14) _____
 A) Internal B) External
 C) E-clip D) All of these are snap rings
- 15) Technician A says that a drill is usually needed to remove a rivet. Technician B says that the most common rivet is a pop rivet. Which technician is correct? 15) _____
 A) Technician A only B) Technician B only
 C) Both technicians A and B D) Neither technician A nor B
- 16) Identify this tool. 16) _____



- A) Tap B) Thread cleaning tool
 C) Thread pitch gauge D) Die
- 17) Technician A says that door panels use "Christmas tree clips." Technician B says that special tools are not needed to remove door panel clips. Which technician is correct? 17) _____
 A) Technician A only B) Technician B only
 C) Both technicians A and B D) Neither technician A nor B

- 18) Which of these may be used to restore damaged threads on a bolt? 18) _____
 A) Tap B) Die C) Either A or B D) Neither A nor B
- 19) Which of these is used to cut threads in a drilled hole? 19) _____
 A) Tap B) Die C) Either A or B D) Neither A nor B
- 20) Which type of washer is used to provide an even clamping force? 20) _____
 A) Flat washer B) Star washer C) Lock washer D) None of these
- 21) All of the following are types of clips EXCEPT _____. 21) _____
 A) C clip B) Internal snap ring
 C) E clip D) Cotter
- 22) The thread pitch of a bolt is measured in what units? 22) _____
 A) Millimeters B) Threads per inch
 C) Fractions of an inch D) Both A and B can be correct
- 23) Metric bolt strength is indicated by _____. 23) _____
 A) Lines on the head B) Numbers on the head
 C) Both A and B D) Neither A nor B
- 24) Which of these is NOT a type of lock nut? 24) _____
 A) Castle nut and cotter pin B) Nylon ring
 C) Distorted D) All of these are lock nuts
- 25) Metric nut strength is indicated by _____. 25) _____
 A) Dimples B) Lines C) Both A and B D) Neither A nor B
- 26) A bolt that is threaded into a casting is often called a _____. 26) _____
 A) Stud B) Crest bolt C) Cap screw D) Block bolt
- 27) Metric thread pitch is measured in _____. 27) _____
 A) Centimeters B) Inches C) Millimeters D) None of these
- 28) The grade of a fastener, such as a bolt, is a measure of its _____. 28) _____
 A) Finish B) Tensile strength
 C) Hardness D) Color
- 29) A screw that can make its own threads when installed is called a _____ screw. 29) _____
 A) Sheet metal B) Tapered C) Self-tapping D) Both A and C
- 30) The marks (lines) on the head of a bolt indicate _____. 30) _____
 A) Size B) Grade
 C) Tensile strength D) Both B and C

31) Which of these is called an "e-clip"?

31) _____



- A) B B) D C) A D) C

32) Which of these is used to clean threads of a bolt to be reused?

32) _____

- A) Die B) Tap C) Thread chaser D) None of these

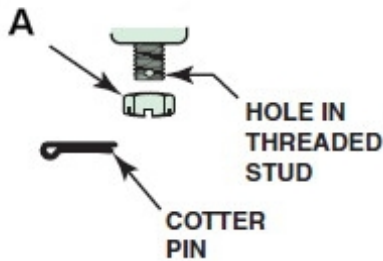
33) Which type of fastener is used with a cotter pin?

33) _____

- A) Taper pin B) Clevis pin C) Roll pin D) None of these

34) The fastener shown (A) is called a(an) _____ nut.

34) _____



- A) Stud locker B) Castle C) Torque D) Hole

35) What type of fastener is commonly used to retain interior door panels?

35) _____

- A) Internal clips B) E clips
C) External clips D) Christmas tree clips

36) The marks (lines) on the head of a bolt indicate _____.

36) _____

- A) Size B) Grade
C) Tensile strength D) Both B and C

37) The thread pitch of a bolt is measured in what units?

37) _____

- A) Millimeters B) Threads per inch
C) Fractions of an inch D) Both A and B can be correct

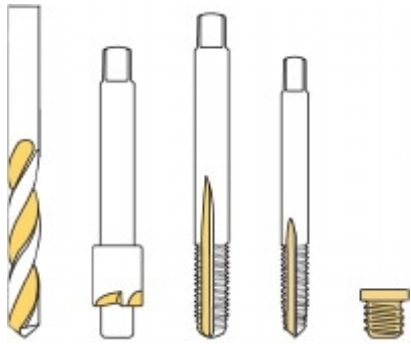
38) Technician A says that a drill is usually needed to remove a rivet. Technician B says that the most common rivet is a pop rivet. Which technician is correct?

38) _____

- A) Technician A only B) Technician B only
C) Both technicians A and B D) Neither technician A nor B

39) Identify this tool kit.

39) _____



- A) Key lock insert kit
- C) Tap and die kit

- B) Helicoil® kit
- D) Timesert® kit