

MULTIPLE CHOICE. Choose the one alternative that best completes the statement or answers the question.

- 1) Which substances can be used as abrasives for cleaning? 1) _____
A) Walnut shells B) Baking soda C) Either A or B D) Neither A nor B

- 2) How might a ring be a safety hazard? 2) _____
A) It could become a path for an electrical circuit
B) It could get caught on a moving part
C) Both A and B
D) Neither A nor B

- 3) The process of combustion occurring without an open flame is called _____. 3) _____
A) Cold fusion B) Non-flame combustion
C) Spontaneous combustion D) Direct ignition

- 4) Technician A says that containers for dirty shop rags should be made of metal. Technician B says that these containers should have a lid that stays closed. Which technician is correct? 4) _____
A) Technician A only B) Technician B only
C) Both technicians A and B D) Neither technician A nor B

- 5) Which type of glove is damaged by contact with petroleum products or solvents? 5) _____
A) Nitrile B) Latex C) Both A and B D) Neither A nor B

- 6) When washing hands, water should be at what temperature? 6) _____
A) 125° F (52°C) B) 98° F (37°C) C) 110° F (43°C) D) 135° F (57°C)

- 7) Technician A says that eye contamination should be treated by flushing with water. Technician B says that professional help should be involved in the event of eye contamination. Which technician is correct? 7) _____
A) Technician A only B) Technician B only
C) Both technicians A and B D) Neither technician A nor B

- 8) When hammering an aluminum part, it is best to pound with _____. 8) _____
A) An iron hammer B) A plastic mallet
C) A steel hammer D) None of these

- 9) Aisles should be marked with _____. 9) _____
A) Yellow paint B) Duck tape C) Black tape D) Duct tape

- 10) Batteries should not be tipped to more than a _____ angle. 10) _____
A) 60 degree B) 45 degree C) 5 degree D) None of these

- 11) Technician A says that an eyewash station should be located in the corner of the shop to keep it clean. Technician B says that an eyewash station should be located in a central area. Which technician is correct? 11) _____
 A) Technician A only B) Technician B only
 C) Both technicians A and B D) Neither technician A nor B
- 12) All safety glasses should meet standards set by _____. 12) _____
 A) SAE B) DOT C) ANSI D) ASE
- 13) Technician A lifts a heavy load using leverage away from his body. Technician B lifts a load keeping it close to his body. Which technician is correct? 13) _____
 A) Technician A only B) Technician B only
 C) Both technicians A and B D) Neither technician A nor B
- 14) Two technicians are discussing the safe use of a wrench. Technician A says that a wrench should be pulled toward you. Technician B says a wrench should be pushed away from you. Which technician is correct? 14) _____
 A) Technician A only B) Technician B only
 C) Both technicians A and B D) Neither technician A nor B
- 15) Technician A uses a face shield when using any type of pressure or chemical cleaning. Technician B uses protective gloves when working with solvents. Which technician is correct? 15) _____
 A) Technician A only B) Technician B only
 C) Both technicians A and B D) Neither technician A nor B
- 16) Evacuation route maps are usually located _____. 16) _____
 A) At all water fountains B) In the men's room
 C) On the floor D) Near fire extinguishers
- 17) Which of the listed items is NOT considered to be personal protective equipment? 17) _____
 A) Steel toe shoes B) Safety socks C) Gloves D) Safety glasses
- 18) There are _____ classes of fire extinguishers. 18) _____
 A) 4 B) 8 C) 6 D) 3

TRUE/FALSE. Write 'T' if the statement is true and 'F' if the statement is false.

- 19) A typical lawnmower should be used with hearing protection. 19) _____

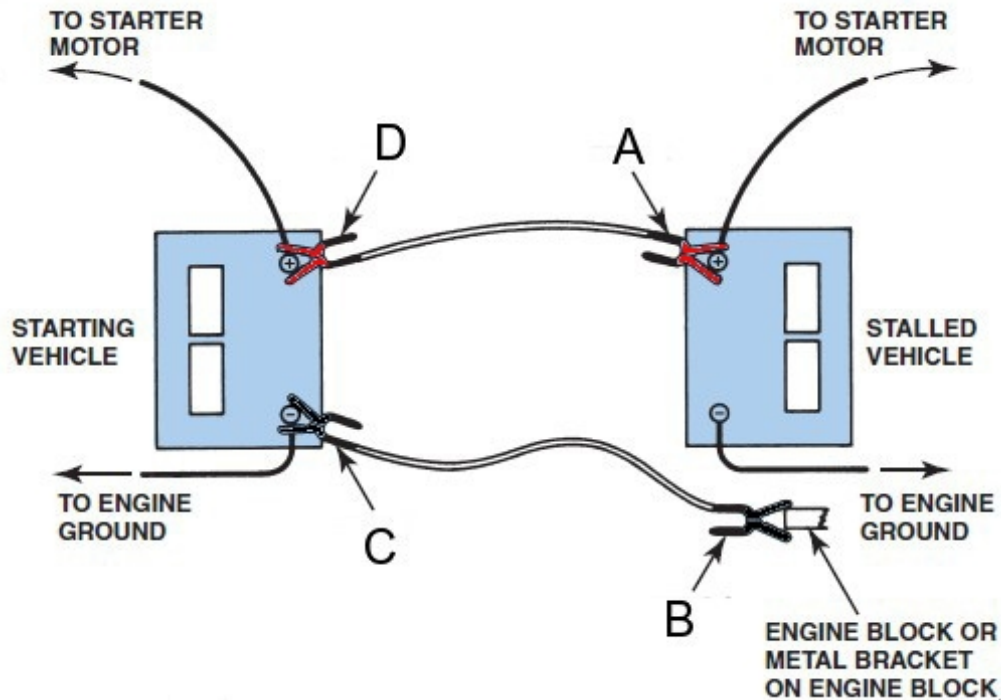
MULTIPLE CHOICE. Choose the one alternative that best completes the statement or answers the question.

- 20) Technician A uses three prong electrical cords when possible. Technician B uses double insulated electrical tools. Which technician is correct? 20) _____
 A) Technician A only B) Technician B only
 C) Both technicians A and B D) Neither technician A nor B
- 21) Which type of cleaning uses small living organisms to eat oil and grease? 21) _____
 A) High pressure spray B) Microbe
 C) Solvent D) None of these

- 22) Which type fire extinguisher may damage electronic components? 22) _____
 A) CO2 B) Dry chemical C) Both A and B D) Neither A nor B
- 23) What type of fire extinguisher can create a corrosive compound when discharged? 23) _____
 A) Water B) Dry chemical C) CO2 D) CO
- 24) Technician A says to always push heavy objects. Technician B says to always pull heavy objects. 24) _____
 Which technician is correct?
 A) Technician A only B) Technician B only
 C) Both technicians A and B D) Neither technician A nor B
- 25) Technician A says that shoes with leather tops are safer than canvas-topped shoes. Technician B 25) _____
 says that steel toed boots are essential to protecting your feet from injury. Which technician is correct?
 A) Technician A only B) Technician B only
 C) Both technicians A and B D) Neither technician A nor B
- 26) When using a fire extinguisher, what word can be used to remember what to do? 26) _____
 A) LEVER B) FIRE C) RED D) PASS
- 27) Which item is usually NOT included in a first aid kit? 27) _____
 A) Bandages B) Antibiotic cream
 C) Eye wash solution D) Fire blanket
- 28) Proper working level is _____. 28) _____
 A) At knee height B) Above your head
 C) Between waist and chest height D) None of these
- 29) Technician A says that most non-running vehicles can be pushed into the shop by one person. 29) _____
 Technician B says to use an electric pusher when moving a non-running vehicle. Which technician is correct?
 A) Technician A only B) Technician B only
 C) Both technicians A and B D) Neither technician A nor B
- 30) Hearing protection should be worn any time the noise level exceeds _____. 30) _____
 A) 80 dB B) 60 dB C) 70 dB D) 90 dB

31) When jump-starting a vehicle, which of these connections is the last connection to be made?

31) _____



- A) B B) D C) A D) C

32) What do you call the service technician's protective head cover?

32) _____

- A) Helmet B) Bump cap C) Hat D) Cap

33) Exhaust hoses should be used because one of the exhaust gases can be deadly in high concentrations. This gas is _____.

33) _____

- A) Hydrocarbons (HC) B) Oxides of nitrogen (NOx)
C) Carbon monoxide (CO) D) Carbon dioxide (CO₂)

34) What type of gloves provide thermal protection?

34) _____

- A) Nitrile gloves B) Latex gloves
C) Mechanics gloves D) None of these