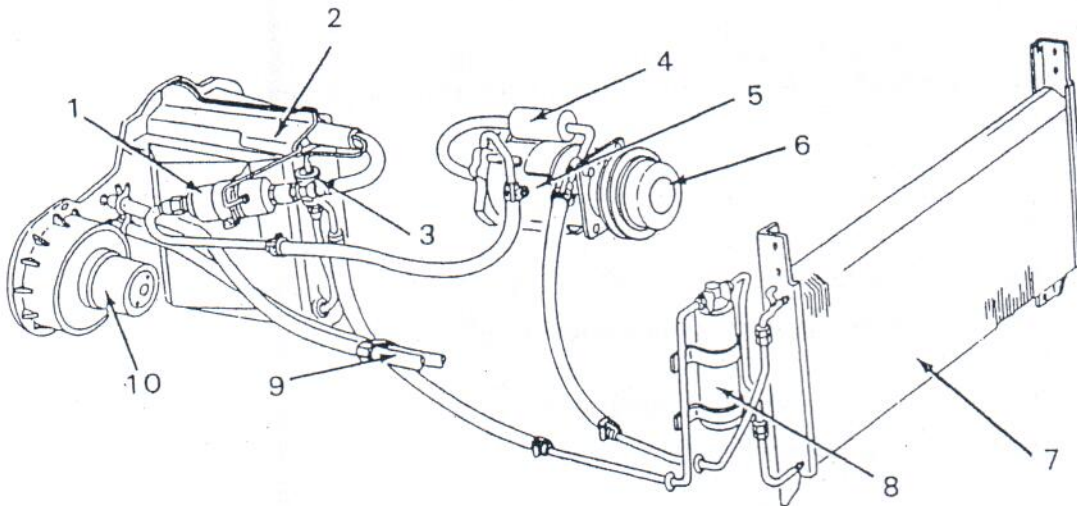


22 - AUTOMOBILE AIR CONDITIONING

Quiz 2

Identify the following air conditioning system parts. Select your answers from the list. Carefully print the correct letter in each illustration blank.



- _____ 1.
- _____ 2.
- _____ 3.
- _____ 4.
- _____ 5.
- _____ 6.
- _____ 7.
- _____ 8.
- _____ 9.
- _____ 10.

- A. Magnetic clutch
- B. Evaporator core assembly
- C. Condenser pulley
- D. Drain hose
- E. Expansion valve
- F. Blower assembly
- G. Evaporator pressure (POA) valve
- H. Compressor assembly
- I. Condenser
- J. Receiver-dehydrator
- K. Heater hoses
- L. Muffler